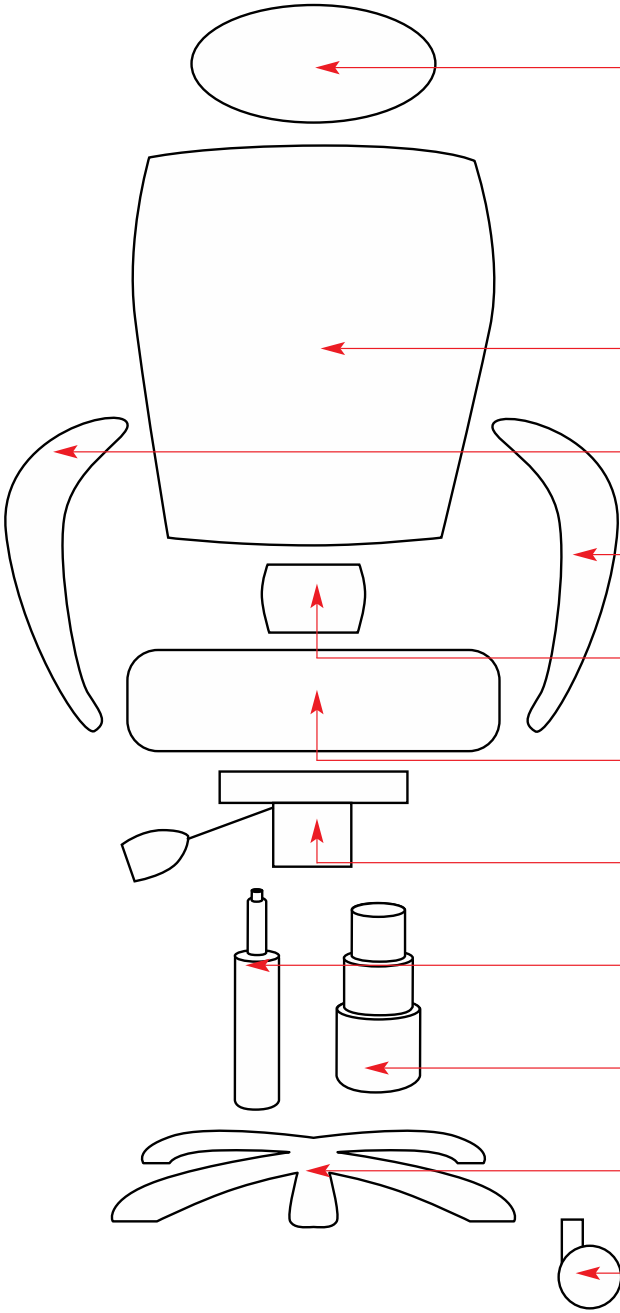


PRODUCT	ERGO TWIN	2900
---------	-----------	------



HEADREST	N/A	
BACKREST	Z260B	
ARM <i>RH when seated</i>	OPTIONAL	
ARM <i>LH when seated</i>	OPTIONAL	
BACK BRACKET/MECH	ATTACHED	
SEAT	Z260S	MECHANISM SCREW DIMENSIONS IN CM 
MECHANISM	Z211	
GAS LIFT	Z24	
TELESCOPE	Z035	
FIVE STAR BASE	Z151E	
CASTORS	Z03	

FIXINGS	NO FIXINGS REQUIRED
---------	---------------------

UNIQUE PARTS	
--------------	--

NOTES	
-------	--