

When the angle of the back has been adjusted, please ensure that the lever is locked in place, do not leave it unlocked as it can compromise the structure of the chair.

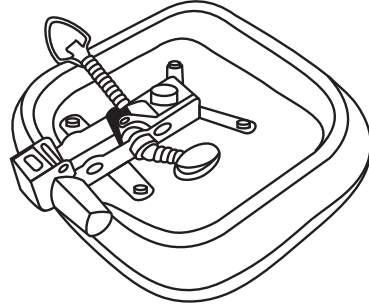
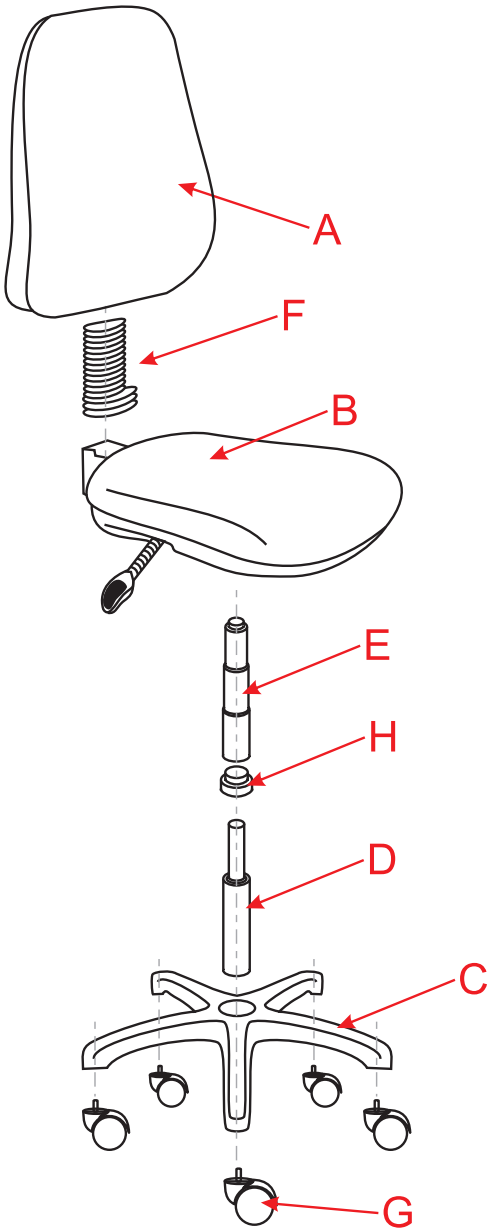
TEKNIK OFFICE LTD.

Phone: 01234 328804

Fax: 01234 342446

E-mail: CustomerService@teknikoffice.co.uk

ASSEMBLY INSTRUCTION



A	x1	B	x1	C	x1				
					this part is attached to the bottom of E				
D	x1	E	x1	F	x1	G	x5	H	x1

OPERATING INSTRUCTION

