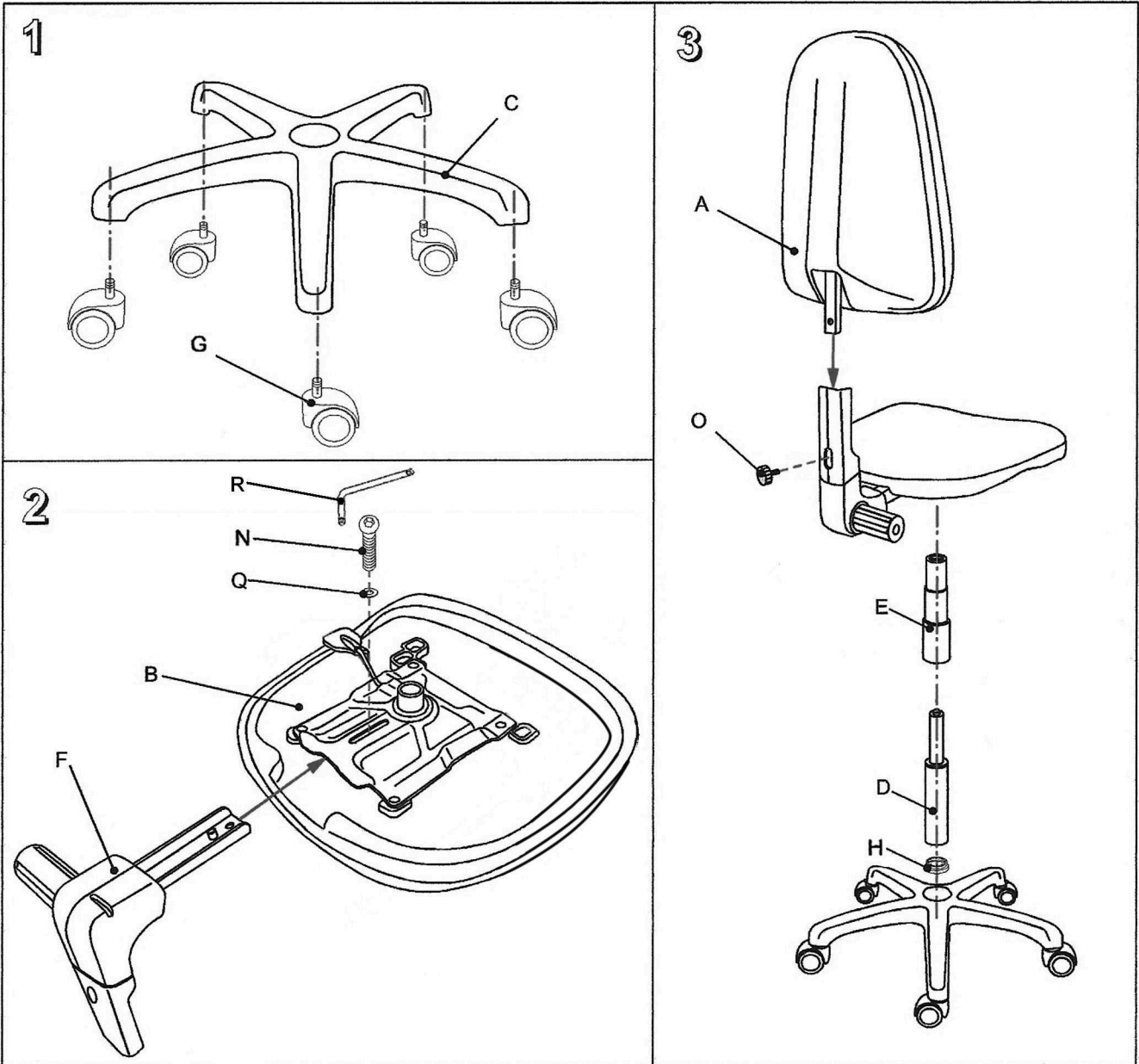


SALES & SERVICE  
 PHONE: 01234 328804  
 FAX: 01234 342446



# LABOUR PRO PC



|    |    |    |    |    |    |
|----|----|----|----|----|----|
|    |    |    |    |    |    |
| A  | B  | C  | D  | E  | F  |
| x1 | x1 | x1 | x1 | x1 | x1 |
|    |    |    |    |    |    |
| G  | H  | N  | O  | Q  | R  |
| x5 | x1 | x2 | x1 | x1 | x1 |

This part is attached to the bottom of 'E'

To ensure chair is 'tamper resistant' use the second 'N' bold in place of the 'O' hand wheel

Please do not throw away the packaging until you are completely satisfied with the chair.  
 All returns must be made in original packaging.